




## PRODUCTS

- [Products Home](#)
- [Size Table](#)
- [Accessories](#)
- [Customization](#)
- [A-Series](#)
- [C-Series](#)
- [CA-Series](#)
- [CH-Series](#)
- [G-Series](#)
- [H-Series](#)
- [M-Series](#)
- [R-Series](#)
- [RX-Series](#)
- [S-Series](#)
- [SL-Series](#)

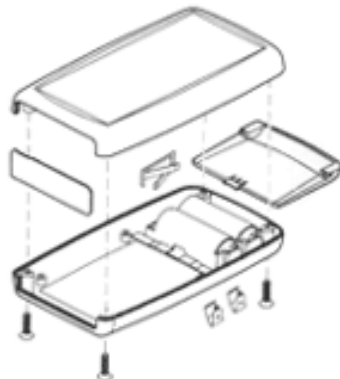
## Products: H-Series

### H-67 (AA)



MODEL	LENGTH	WIDTH	HEIGHT	DRAWINGS	
				(.pdf)	(.dwg)
 H-67, AA	4.940"	2.750"	1.275"		
<a href="#">Click to view circuit board diagram (H-67, AA Circuit Board)</a>					

## FEATURES



- Three piece design with ergonomic handheld shape
- Replaceable end panels ([see accessories below](#))
- 2 x AA battery compartment with contactors
- Circuit board mounting bosses  
(adjustable height, [see in-mold customization](#))
- Assembly with four screws
- Customization available
  - five insert areas/I-Plates (top and bottom, internal top and bottom, and face place )
  - machining

-pad printing

## COLORS



Black



Almond



Gray

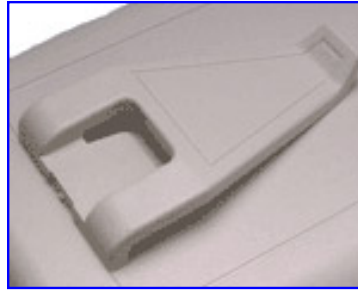
Custom Colors Also Available

[RETURN TO TOP](#)

## ACCESSORIES (Click an accessory for compatible models and part numbers)



**Infrared, Clear and  
Transparent End Panels**  
[RETURN TO TOP](#)



**Pocket Clip**

[Home](#) | [About SERPAC](#) | [Products](#) | [Accessories](#) | [Customizations](#) | [Distributors](#) | [Buy Now!](#) | [Contact Us](#)

PRODUCTS: [A-Series](#) | [C-Series](#) | [CA-Series](#) | [CH-Series](#) | [G-Series](#) | [H-Series](#) | [M-Series](#) | [R-Series](#) | [S-Series](#) | [SL-Series](#)

© 2004, SERPAC Electronic Enclosures. All Rights Reserved